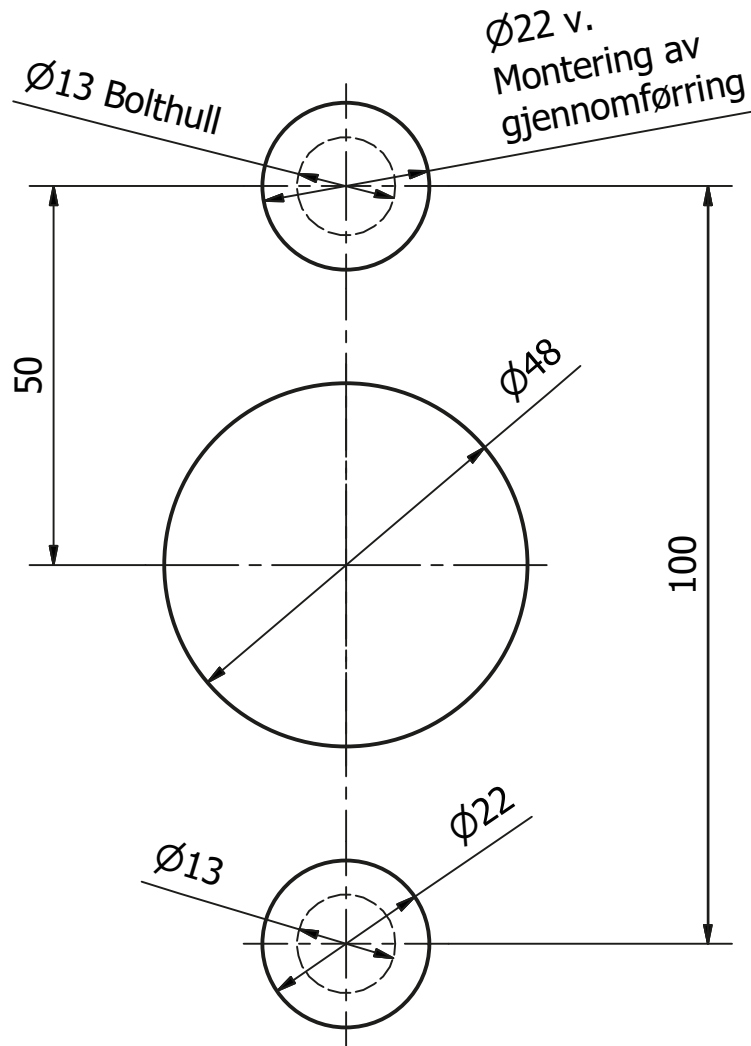




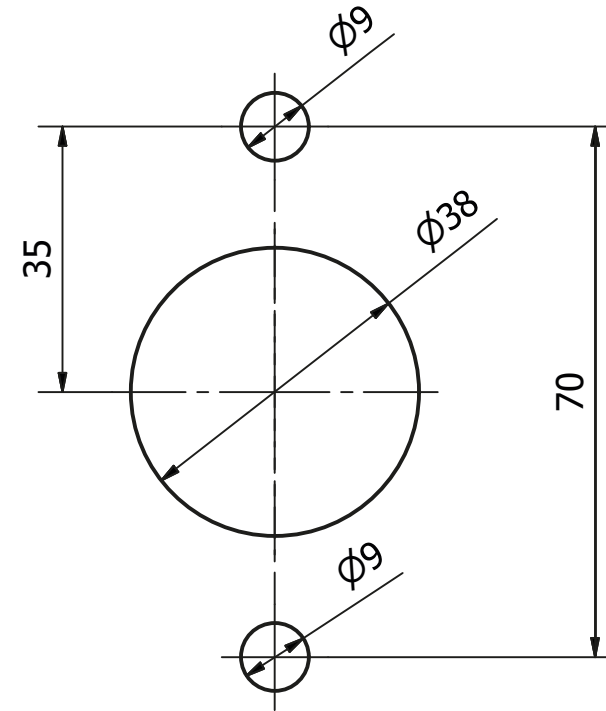
SIDE-POWER Windlass Systems

Maxi 43/44



Warning!
This drilling template is in 1:1, but might be resized and not be liable if printed on your own printer! Always control the measurements before use and check your print setup.

Mini/Midi



SLEIPNER MOTOR AS
P.O. Box 519
N-1612 Fredrikstad
Norway
Tel: +47 69 30 00 60
Fax: +47 69 30 00 70
www.side-power.com
sidepower@sleipner.no



Made in Norway