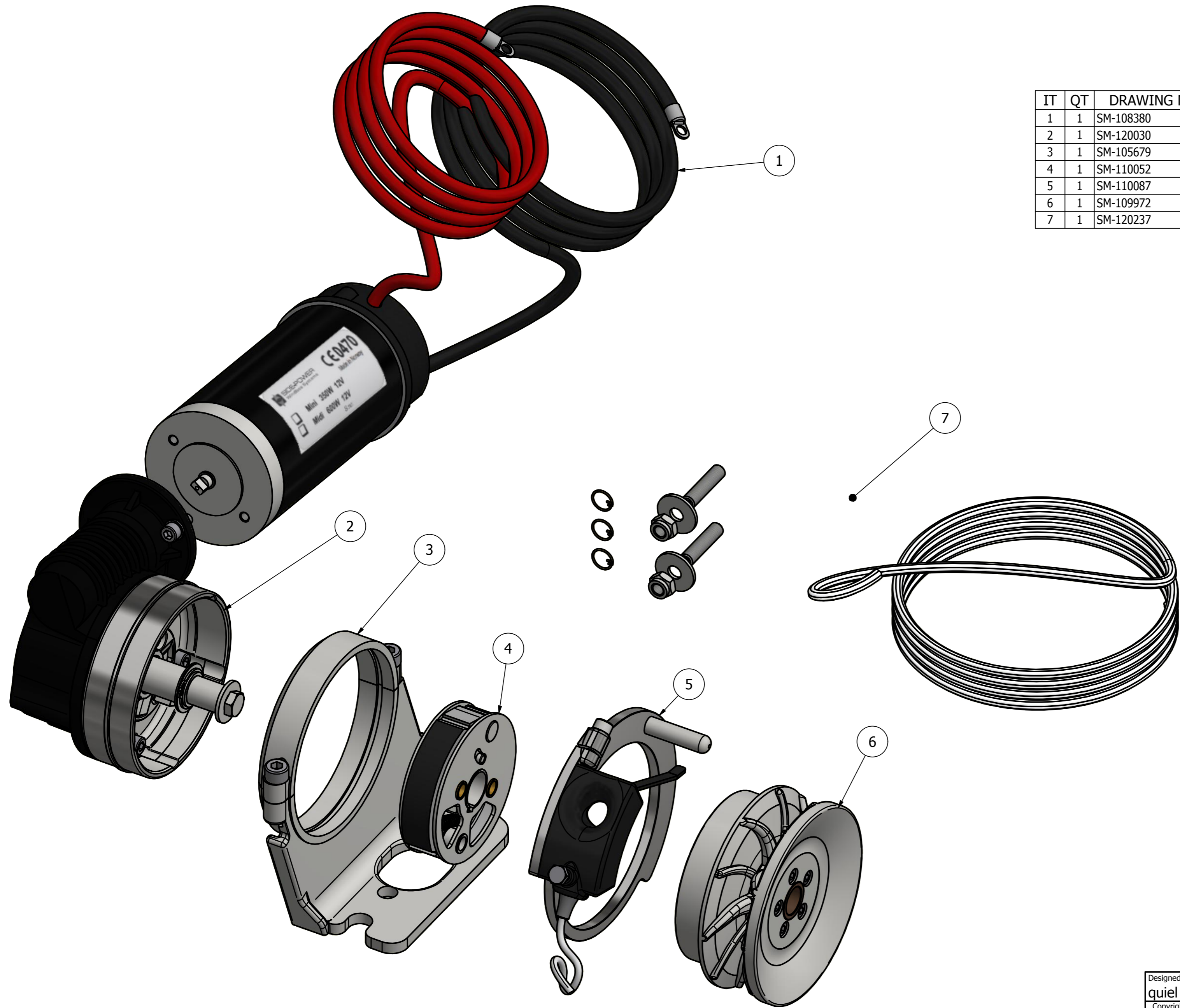



IT	QT	DRAWING NO	STOCK NO	TITLE
1	1	SM-108380	12-06012	Motor 12V 600W
2	1	SM-120030	14-00240	MIDI Gir
3	1	SM-105679	14-00258	Brakett oppheng delt Mini-Midi
4	1	SM-110052	16-00240	MIDI Bremse
5	1	SM-110087	16-00241	Taufører, finger og sensor
6	1	SM-109972	16-00242	MIDI Trekkskive
7	1	SM-120237	16-00243	MIDI løspak



Designed by quiel	Material Type	Date 09.03.2016	Drawing nr SM-120029	Tolerance NS-ISO 2768-1
Copyright All rights reserved		Title MIDI 201 Midi windlass 12V		
	SLEIPNER MOTOR	Part nr 36-12106	Weight 6,824 kg	Size A2
		Scale 1 : 1,6	Edition 1	Sheet 1 / 1