

112,5°+ 112,5°+135° TRI-COLOR LIGHT AND 360° ANCHOR w. STROBE FUNCTION & WINDEX MOUNT SINGLE, HORIZONTALLY MOUNTED

1 nautical mile	101-009SW (<12m / <39.4')
2 nautical miles	201-007SW (12 – 20m / 39.4' – 65.6')

This LED navigation light consists of two individual lights;

A Tricolor with three high-power LED that produces light in the specified angle utilizing special designed PMMA light guides, and an Anchor light with a single array of LEDs that produces light in the specified angle. Each light can be activated separately.



The top of the light features a mounting adaptor for a Windex. The adaptor has a built-in LED that lights up the Windex for easier observation. The Windex adaptor has an LED for illumination of the Windex that automatically switches on when the Tricolor light.

The precision machined 6082 aluminium housing with an anodized surface makes the light a rugged and durable housing for the LEDs and electronics contained within.

The interior is completely filled with a special potting resin making it water- and vibration proof.

Produced in our in-house manufacturing facility to meet and exceed exacting standards such as EN14744 and UL1104, under a quality management system continuously surveyed by Lloyds Register Quality Assurance.

Each light is subjected to final testing for a minimum of 16 hours of continuous operation bringing the total test time beyond 24 hours.

This navigation light is in compliance with the following standards:

- COLREG72
- EN14744
- IEC 60945
- USCG (UL1104)

Together with an appropriate Control & Monitoring System, such as Lopolight's own NLC* this navigation light can form part of an IMO MSC 253(83), LY3 and LY4 compliant system.

*) information found here: www.lopolight.com/NlcPanel

Technical specifications**101-009SW;**

Vessel size: <12m (<39.4')

Visibility: >1 nautical mile / >1 nautical miles

Intensity: >1,2cd / >5,4cd

Power consumption:

Tri-color & Windex: 4,3 Watt; Current: 0,36A @12 VDC - 0,17A @24 VDC

Anchor: 2,6 Watt; Current: 0,22A @12 VDC - 0,11A @24 VDC

201-007SW;

Vessel size: 12m – 50m (39.4' - 164')

Visibility: >2 nautical miles

Intensity: >5,4cd

Power consumption:

Tri-color & Windex: 6,5 Watt; Current: 0,54A @12 VDC - 0,26A @24 VDC

Anchor: 2,6 Watt; Current: 0,22A @12 VDC - 0,11A @24 VDC

Operating voltage: 10 - 32 VDC

Number of LEDs: 1 /1 /1 / 1 /28

Light colour: Green / Red / White / White

Operating temperature: -25°C to +55°C

IP rating: IP68

Mounting: Horizontal, see K-Lock sheet for options

Connection: 1 cable consisting of 4 x 0,5 mm² leads, a screen and insulation.

- Red lead = Tri-color & Windex Power
- Black lead = GND
- White lead = Anchor power
- Green lead = Strobe power

Certification: Pending

The product is in compliance with the following standard(s):

COLREG72/ EN14744 / IEC 60945 / USCG (UL1104)

Dimensions: See drawing

Weight: 0,44kg

Warranty:

Lopolight products are covered by a 5-year limited warranty.

Warranty conditions can be found on www.lopolight.com/Home/ServiceIncluded in the standard package:

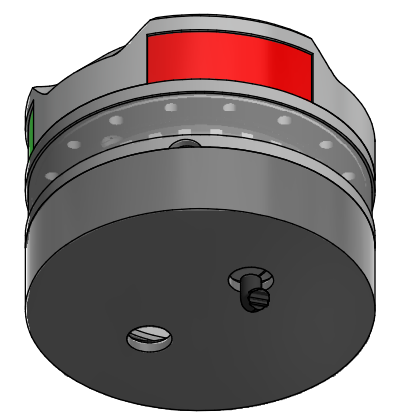
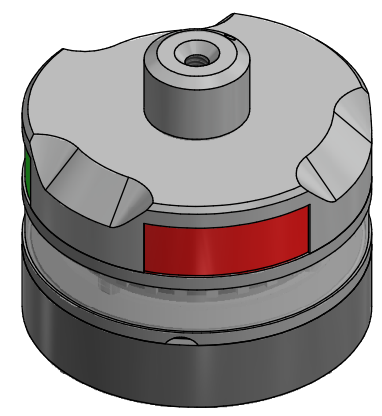
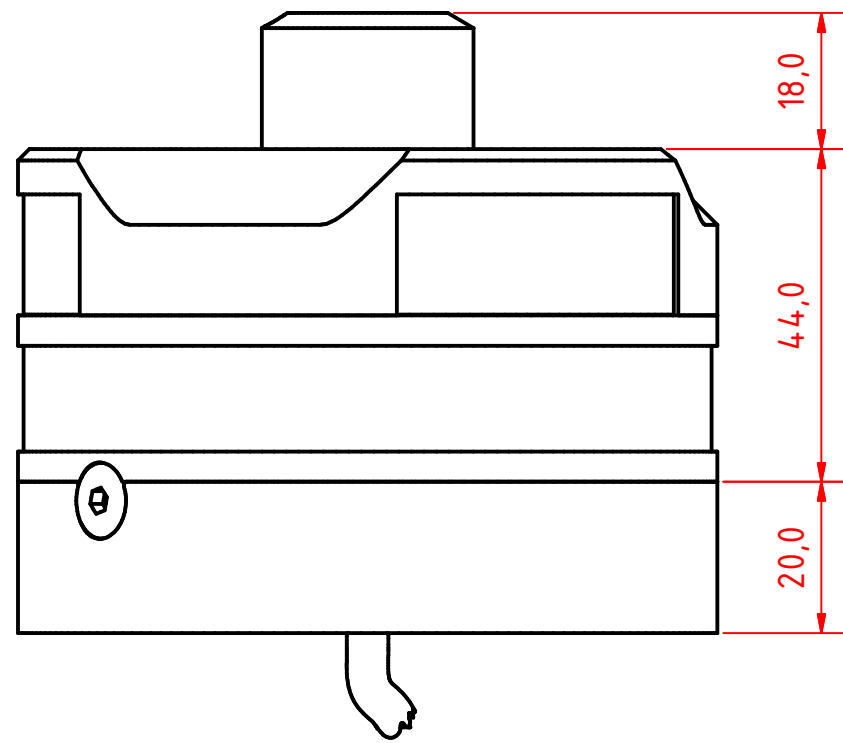
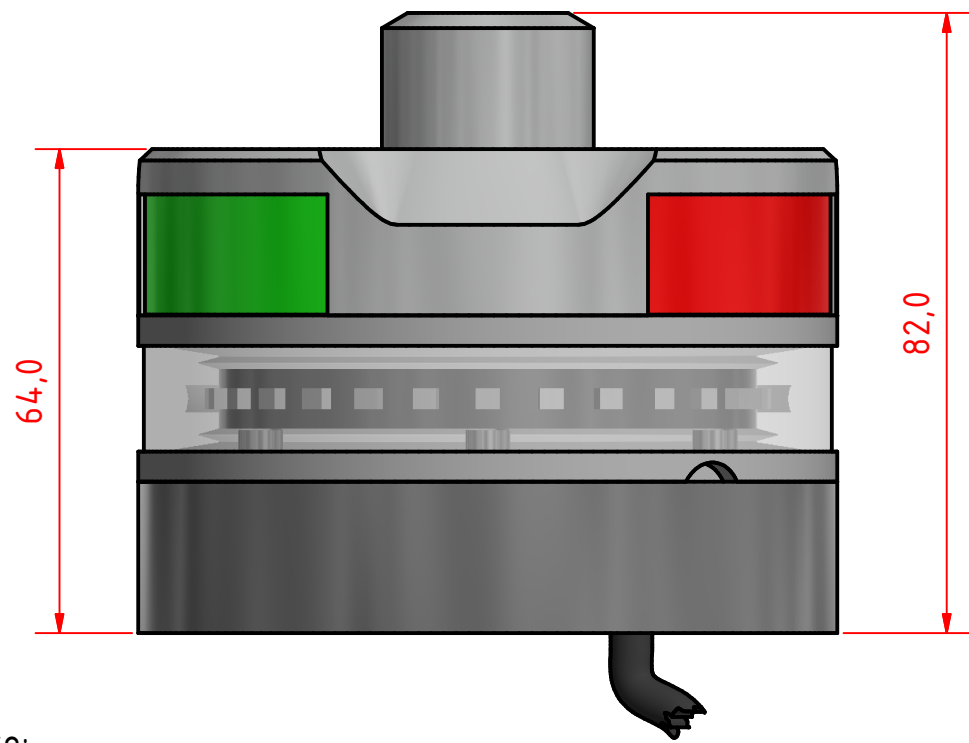
- 1 pc. Navigation light, pre-cabled with 0,75m marine grade cable on HDPE base
- Installation instructions

Ordering information for 101-009SW (1 Nautical mile)

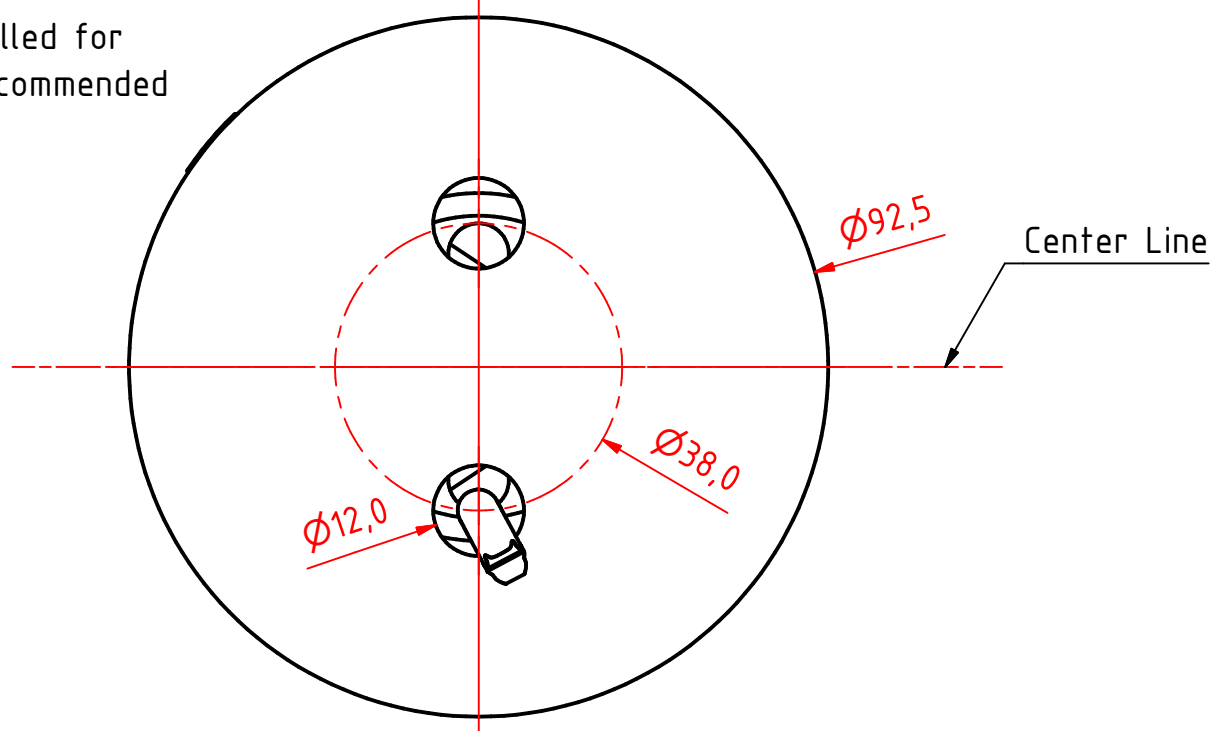
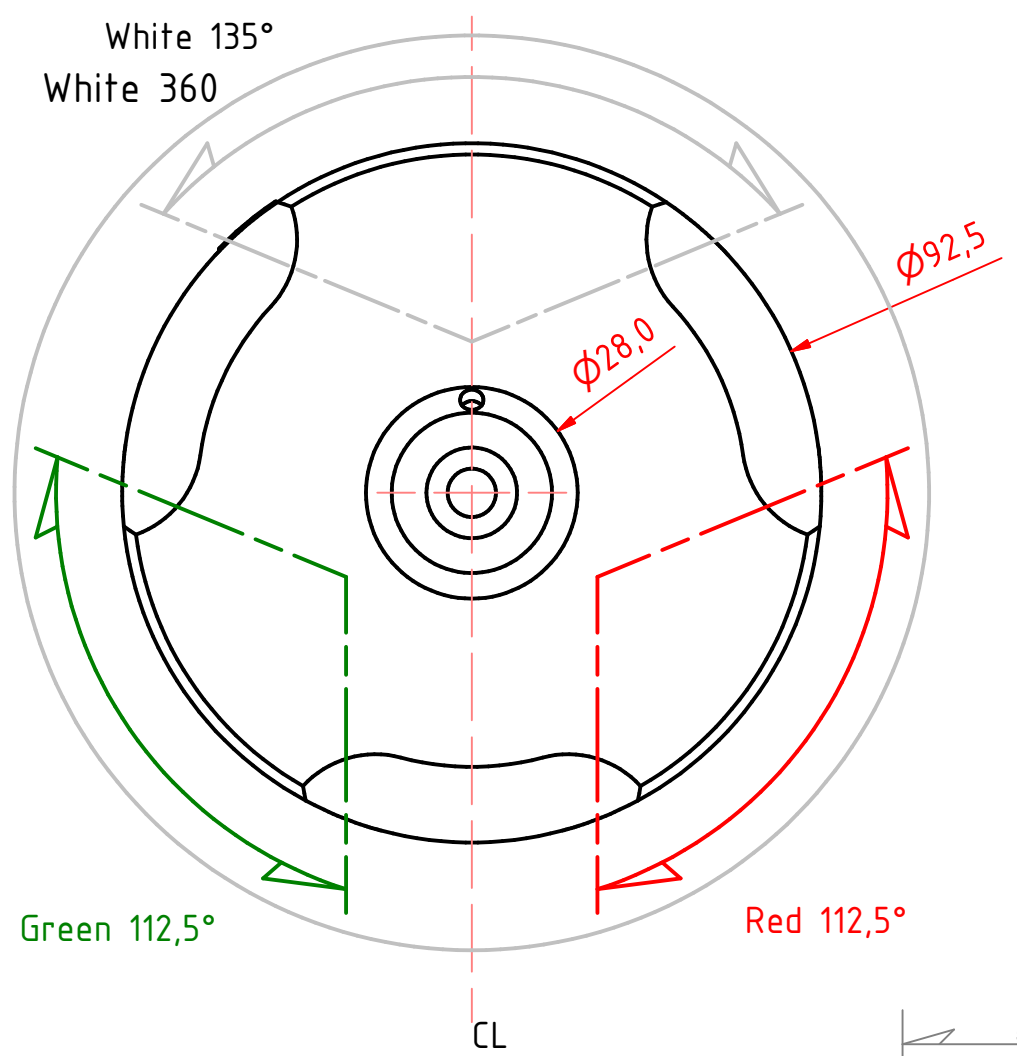
BASE OPTION	CABLE LENGTH	PART NUMBER SILVER FINISH	PART NUMBER BLACK FINISH
400-038 HDPE base (standard)	0,75m / 2.5' (standard)	101-009SW	101-009SW-B
	20m / 65.6'	101-009SW 20M	101-009SW-B 20M
400-034 CSCD base	0,75m / 2.5'	101-009SW-CSCD	101-009SW-B-CSCD
	20m / 65.6'	101-009SW-CSCD 20M	101-009SW-B-CSCD 20M
400-035 CD base	0,75m / 2.5'	101-009SW-CD	101-009SW-B-CD
	20m / 65.6'	101-009SW-CD 20M	101-009SW-B-CD 20M

Ordering information for 201-007SW (2 Nautical miles)

BASE OPTION	CABLE LENGTH	PART NUMBER SILVER FINISH	PART NUMBER BLACK FINISH
400-038 HDPE base (standard)	0,75m / 2.5' (standard)	201-007SW	201-007SW-B
	30m / 98.4'	201-007SW 30M	201-007SW-B 30M
400-034 CSCD base	0,75m / 2.5'	201-007SW-CSCD	201-007S-B-CSCD
	30m / 98.4'	201-007SW-CSCD 30M	201-007SW-B-CSCD 30M
400-035 CD base	0,75m / 2.5'	201-007SW-CD	201-007SW-B-CD
	30m / 98.4'	201-007SW-CD 30M	201-007SW-B-CD 30M



Note:
 The PE Plastic base is intended for fitting on site and can be either drilled for mounting screws from above. 6mm screws with nuts and washers are recommended for secure mounting.



101-009SW 1nm tri-color/anchor/strobe, HM,
 on a 400-038 PE std base for Windex

DRAWING NO.:	REV. NO.:	SIZE:	DRAWN BY:
101-009GB	0	A3	Sergio
SCALE:	TOLERANCES:	REVIEWED BY:	CREATION DATE:
1:1	DS/ISO 2768-f	PHC	17-01-2019

MATERIAL DESCRIPTION:
 EN 6082, Acrylic, PE (20µ) Silver anodized according to EN ISO 7599
 (50µ) Black anodized according to MIL-A 8625F

This Drawing, and the information within, is the property of Lopolight ApS and may not be used in any form without express permission there from. Lopolight reserves the right to change this drawing and assumes no liability for the information communicated herein. Use of dimensions and other information in this drawing is at the users own risk.



Lopolight ApS
 Bakkegaardsvej 513
 DK-3050, Humlebaek
 Denmark

Tel:(+45) 32 48 50 30 Fax:(+45) 32 48 50 32
 info@lopolight.com

