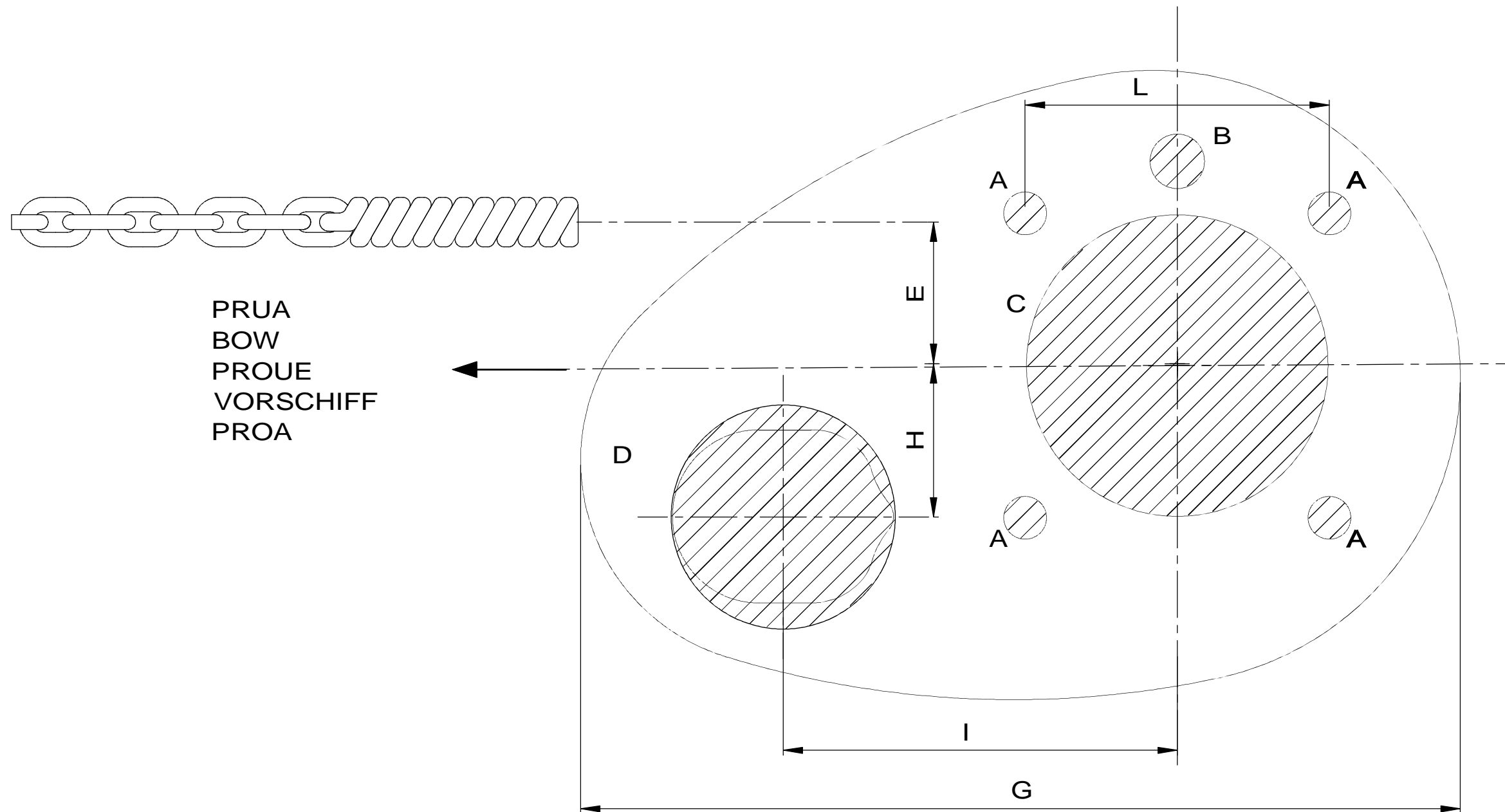
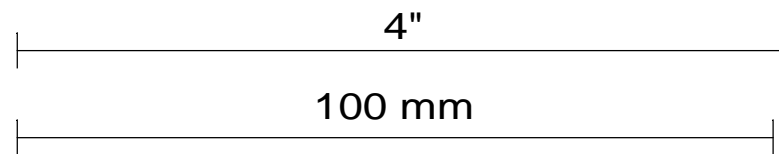


DP1



PRUA
BOW
PROUE
VORSCHIFF
PROA



	A	B	C	D	E	F	G	H	I	L
mm	ø9	ø11	ø62	ø46	30	145.79	180.9	31	81	62.6
inch	ø23/64	ø7/16	ø2" 7/16	ø1" 13/16	1" 3/16	5" 47/64	7" 1/8	1" 7/32	3" 3/16	2" 15/32



Name	DRILLING TEMPLATE			Rev.	1	2	3	4
Model	DP1			Scale	1:1			
Size	A3			Drawing units	mm			
				File				
				Date	10/08/2011			

This is an unpublished work the copyright in which rest in Quick s.r.l. All this document and its information is supplied without liability for error or party may be reproduced used or disclosed except as authorized by contract or permission.